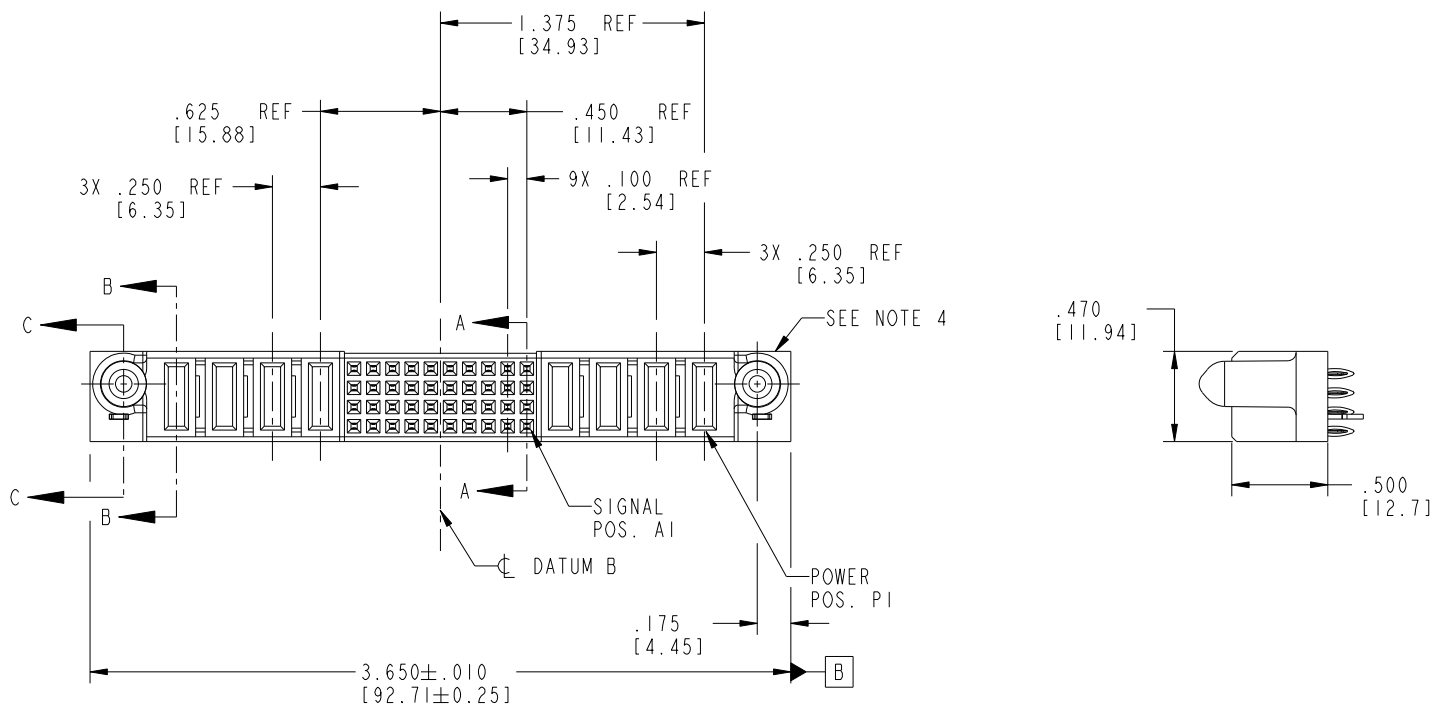


Tous droits strictement réservés. Reproduction ou communication a des tiers interdite sous quelque forme que ce soit sans autorisation écrite du propriétaire. Propriété de c FCI. Droits de reproduction FCI.



All rights strictly reserved. Reproduction or issue to third parties in any form whatever is not permitted without written authority from the proprietor. Property of FCI. Copyright FCI.

PRODUCT NO.	ROWS	POWER				SIGNAL										POWER									
		E2	P8	P7	P6	P5	10	9	8	7	6	5	4	3	2	1	P4	P3	P2	P1	E1				
51750-057-- NOTE: ③	D C B A		PF	PF	PC	PF	F	F	F	F	F	F	F	F	F	F	F	F	F	F	PC	PC	PF	PF	



CODE	DIM "M"	MATING LENGTH	CONTACT TYPE
F	N/A	[N/A]	SIGNAL
PC	.042	[1.07]	POWER
PF	.092	[2.34]	POWER
HA	N/A	[N/A]	HOLD-DOWN

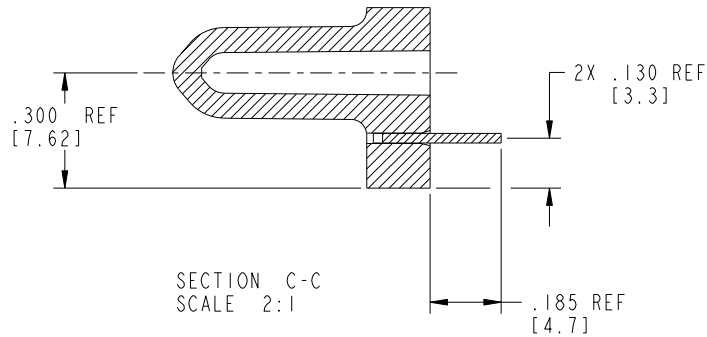
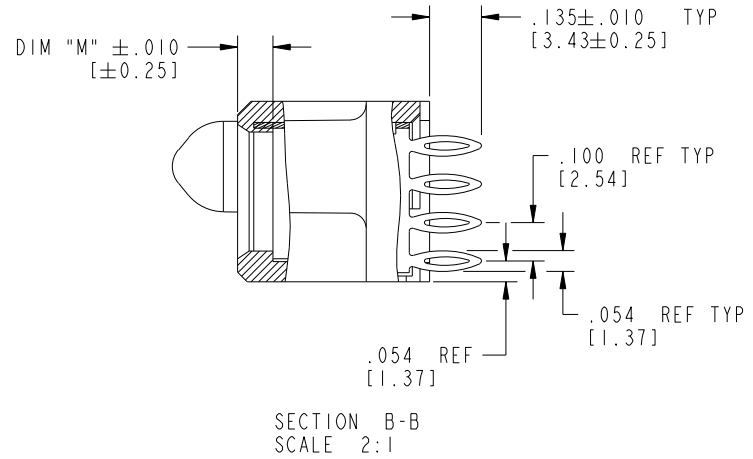
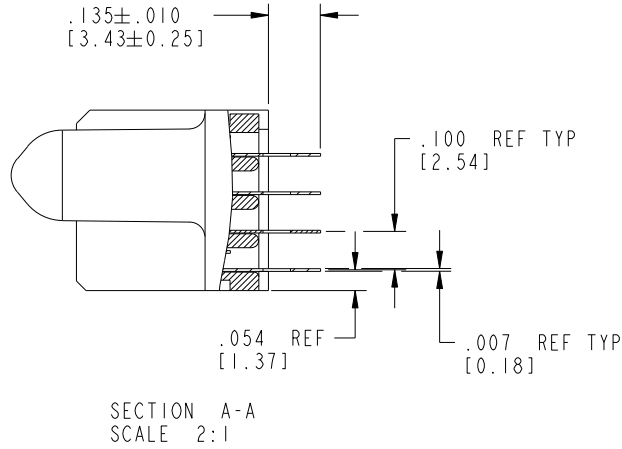
mat'l code				SEE NOTE 2				tolerances unless otherwise specified				CUSTOMER			
ltr	ecn no.	dr	date	linear	.XX±.01/0.X±0.3			COPY		projection		title		www.fciconnect.com	
A	V04-0116	DAI	02/11/04		.XXX±.005/0.XX±0.13			A				4P + 40S + 4P		VERTICAL PRESS-FIT RECEPT	
B	V04-0333	TAB	04/06/04	angles	.XXX±.0020/0.XXX±0.051			D				product family		PwrBlade	
C	DG05-0216	SJ	07/11/05		0°±2°			E		INCH/MM		size		213	
D	DG08-0251	W D	09/13/08	dr	D. INGRAM 02/11/04			F		scale		A 51750-057		sheet 1 of 4	
				enrg	M. GRAY 02/11/04			G		1:1					
				chr	M. GRAY 02/11/04			H							
				appd	M. GRAY 02/11/04			I							
sheet index	revision sheet		D	D	D	D									
			1	2	3	4									

Tous droits strictement réservés. Reproduction ou communication a des tiers interdite sous quelque forme que ce soit sans autorisation écrite du propriétaire. Propriété de c FCI. Droits de reproduction FCI.

All rights strictly reserved. Reproduction or issue to third parties in any form whatever is not permitted without written authority from the proprietor. Property of FCI. Copyright FCI.



PRODUCT NUMBER  
51750-057--  
NOTE: ③



mat'l code		SEE NOTE 2		tolerances unless otherwise specified		CUSTOMER		FCI	
ltr	ecn no.	dr	date	linear	.XX±.01/0.X±0.3	COPY		www.fciconnect.com	
D					.XX±.005/0.XX±0.13	projection		title 4P + 40S + 4P	
				angles	.XXX±.0020/0.XXX±0.051	INCH/MM		VERTICAL PRESS-FIT RECEPT	
				dr	0°±2°	scale		product family PwrBlade code	
				enr	D. INGRAM 02/11/04	1:1		size dwg no 213	
				chr	M. GRAY 02/11/04			sheet	
				appd	M. GRAY 02/11/04			A 51750-057 2 of 4	
sheet index	revision sheet								

Pro/E

PDM: Rev: D

STATUS: Released

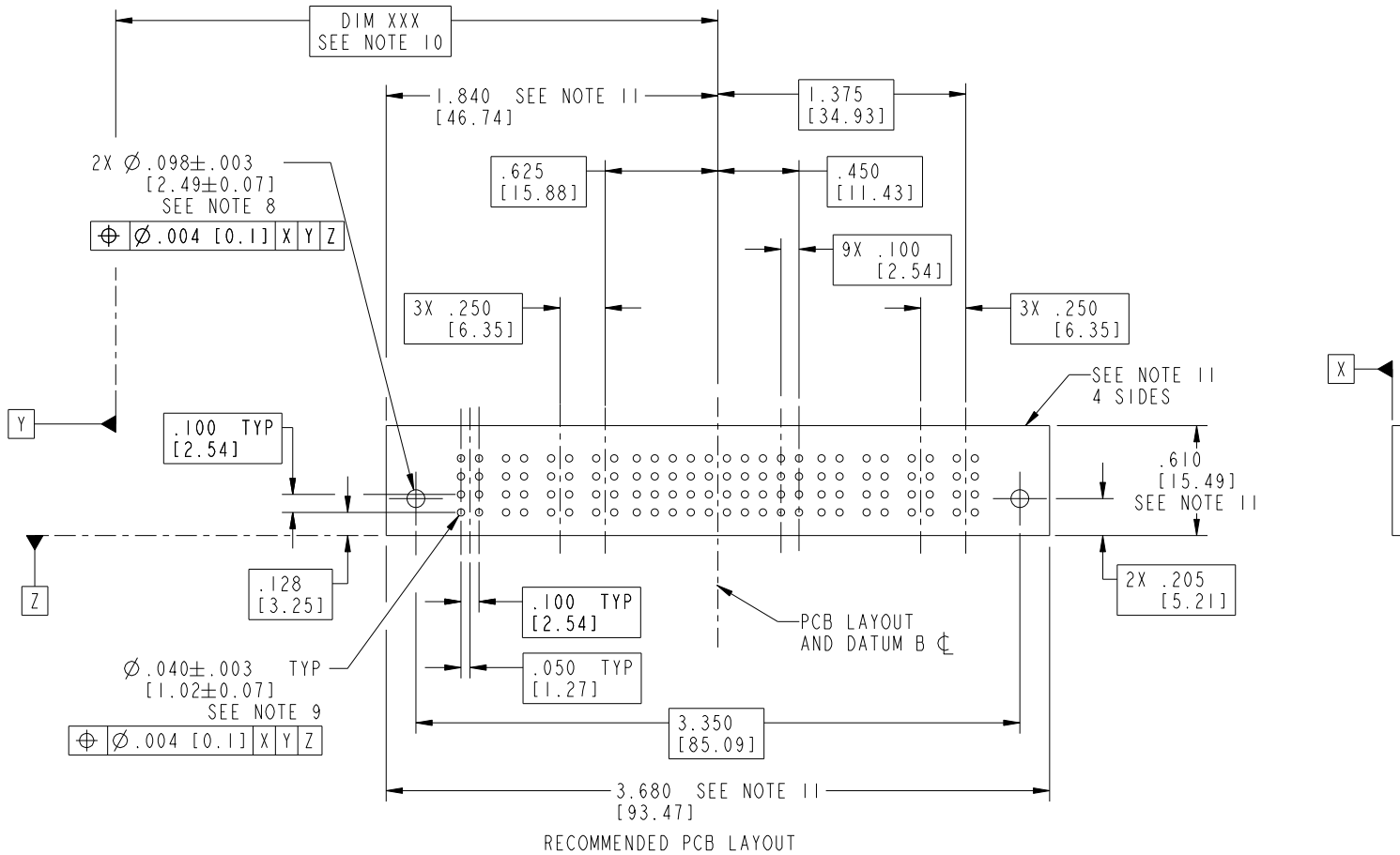
Printed: Sep 20, 2008

Tous droits strictement réservés. Reproduction ou communication a des tiers interdite sous quelque forme que ce soit sans autorisation écrite du propriétaire. Propriété de c FCI. Droits de reproduction FCI.

All rights strictly reserved. Reproduction or issue to third parties in any form whatever is not permitted without written authority from the proprietor. Property of FCI. Copyright FCI.



PRODUCT NUMBER  
51750-057  
NOTE: ③



mat'l code		SEE NOTE 2		tolerances unless otherwise specified		CUSTOMER		FCI	
ltr	ecn no.	dr	date	linear	.XX±.01/0.X±0.3	COPY		www.fciconnect.com	
D				angles	.XXY±.005/0.XX±0.13 .XXX±.0020/0.XXX±0.051 0°+2°	projection		title 4P + 40S + 4P	
				dr	D. INGRAM 02/11/04	INCH/MM		product family PwrBlade	
				enrg	M. GRAY 02/11/04	scale		code 213	
				chr	M. GRAY 02/11/04	1:1		size dwg no	
				appd	M. GRAY 02/11/04			A 51750-057	
sheet index	revision sheet							sheet 3 of 4	

Pro/E

PDM: Rev: D

STATUS: Released

Printed: Sep 20, 2008

cage code 28526

Tous droits strictement réservés. Reproduction ou communication a des tiers interdite sous quelque forme que ce soit sans autorisation écrite du propriétaire. Propriété de c FCI. Droits de reproduction FCI.



All rights strictly reserved. Reproduction or issue to third parties in any form whatever is not permitted without written authority from the proprietor. Property of FCI. Copyright FCI.

1 | 2

3 |

4

PRODUCT NUMBER  
51750-057--  
NOTE: ③

NOTES:

1. DIMENSIONS AND TOLERANCES ARE IN ACCORDANCE WITH ASME Y14.5M, 1994 UNLESS OTHERWISE SPECIFIED.

CONNECTOR NOTES:

- ② HOUSING MATERIAL: UL 94 V-0 GLASS FILLED HIGH-TEMP THERMOPLASTIC  
POWER CONTACT MATERIAL: COPPER ALLOY  
SIGNAL PIN MATERIAL: COPPER ALLOY

△ 3. SEE ITEM 7 & 8 IN PRINT 10064183 FOR PLATING SPEC OF 51750-057 AND 51750-057LF RESPECTIVELY.

④ MANUFACTURER'S NAME, P/N, AND DATE CODE TO APPEAR ON THIS SURFACE.

5. PRODUCT SPECIFICATION GS-12-149.  
APPLICATION SPECIFICATION BUS-20-067.

6. PACKAGED IN TRAYS.

PCB NOTES:

7. ALL HOLE DIAMETERS ARE FINISHED HOLE SIZE.

⑧ MOUNTING HOLES, WHERE APPLICABLE, ARE UNPLATED.

⑨  $\varnothing .0453 \pm .0010$  [1.151  $\pm$  0.025] DRILLED HOLES PLATED WITH .0003 [0.008] MIN SnPb OVER .001 [0.03] TO .003 [0.08] Cu PLATING TO ACHIEVE  $\varnothing .040 \pm .003$  [1.02  $\pm$  .07] HOLE.

⑩ "DIM XXX" TO BE DETERMINED BY THE CUSTOMER.

⑪ CONNECTOR KEEP-OUT ZONE.

12. A △/D SYMBOL WILL BE NEXT TO ANY DIMENSION, VIEW, OR NOTE WHICH HAS BEEN MODIFIED WITH THE CURRENT DRAWING REVISION.

mat'l code		SEE NOTE 2		tolerances unless otherwise specified		CUSTOMER		 www.fciconnect.com	
ltr	ecn no.	dr	date	linear	.XX±.01/0.X±0.3	COPY		title	
D					.XX±.005/0.XX±0.13	projection		4P + 40S + 4P	
				angles	.XXX±.0020/0.XXX±0.051			VERTICAL PRESS-FIT RECEIPT	
				dr	D. INGRAM 02/11/04	INCH/MM		product family	
				enrg	M. GRAY 02/11/04	scale		PwrBlade	
				chr	M. GRAY 02/11/04	1:1		code	
				appd	M. GRAY 02/11/04	A		213	
sheet index		revision sheet		size		dwg no		sheet	
				A		51750-057		4 of 4	

1 | 2

Pro/E

PDM: Rev: D

STATUS: Released

Printed: Sep 20, 2008

A

A

B

B

cage code 2856

4